

# Oil cooler for hydrodynamic retarder (hydrodynamic brake)

Brief  
Information



Thermal management

- *New to the Behr Hella Service range*
- *Completely made of aluminium*
- *Produced by AKG*

## Product features



Hydrodynamic retarders, are used to support the braking system in commercial vehicles as a wear free hydrodynamic brake. The reduction in vehicle speed is activated by the transfer of movement energy of the crankshaft into thermal energy of the hydraulic oil.

Once heated, hydraulic oil then flows through an oil cooler. This part of the retarder feeds thermal energy via a coolant to the vehicle's main cooling circuit. As a part which is relevant to the systems function, the oil cooler is flanged directly to the retarder and must withstand both extreme temperature and pressure loads.

A fault in the retarder cooling system will cause this hydrodynamic brake to overheat quickly and fail.

# Product overview

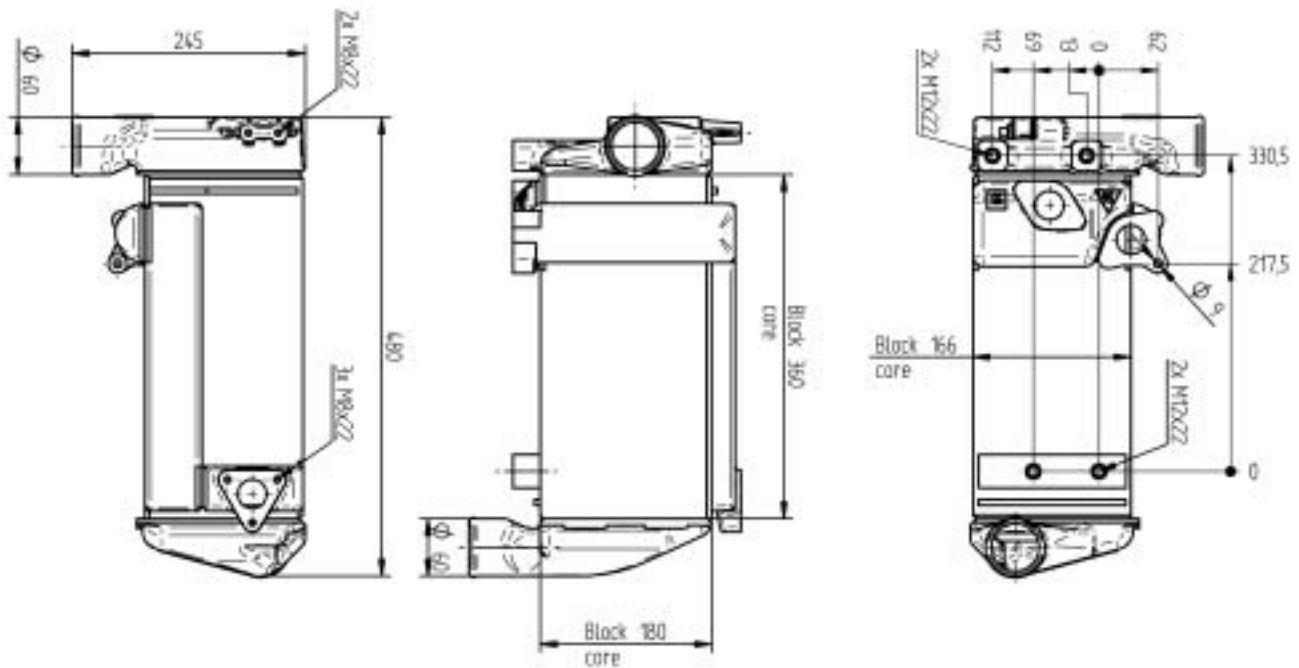
Oil cooler for retarder (MAN)	
Material	Full-aluminium
Weight	21.5 kg
Block dimensions (W/H/D) in mm	360 x 166 x 180 mm
OE numbers*	MAN: 81325600041 81325600051 81325600055 81325606092
PU	1
<b>Part numbers</b>	<b>8MO 376 765-501</b>

## Product photo



\* OE numbers are only for comparative purposes

## Technical drawings



# Product overview

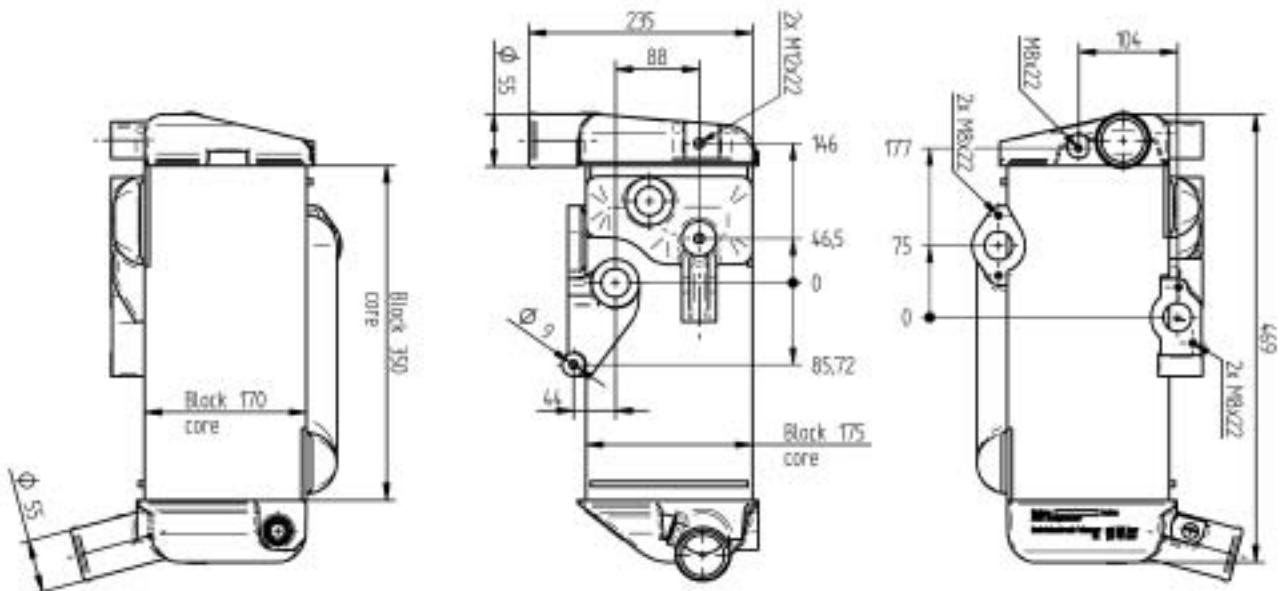
Oil cooler for retarder (MAN, DAF, Renault)	
Material	Full-aluminium
Weight	20.7 kg
Block dimensions (W/H/D) in mm	350 x 170 x 175 mm
OE numbers*	MAN: 81325600059 DAF: 1643669 RENAULT: 5001865807
PU	1
<b>Part numbers</b>	<b>8MO 376 765-511</b>

## Product photo



\* OE numbers are only for comparative purposes

## Technical drawings



© Behr Hella Service, Schwäbisch Hall Printed in Germany