



- *For universal use*
- *High capacity and compact construction*
- *Modern design combined with low-noise operation*

Product features

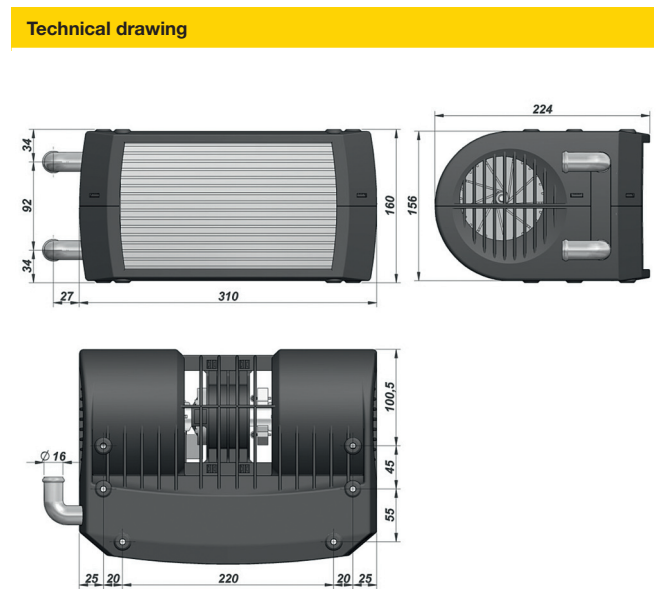


- Thanks to its numerous ventilation possibilities, this heater is suitable for versatile use in the driver or passenger area, particularly in commercial vehicles, buses, mobile homes, boats, agricultural and municipal vehicles.
- A very high capacity and compact dimensions allow the heater to be used as a defroster and to be integrated in almost any application.
- Its modern and elegant design also allow the heater to be installed in a visible spot.
- Three fan levels guarantee low noise development, fast heat-up and a long service life for the motor.

Technical details

Technical data						
Voltage (V)	12 V			24 V		
Speed	1 st	2 nd	3 rd	1 st	2 nd	3 rd
Capacity (W)	6,000	8,000	10,500	6,000	10,000	12,000
Airflow (m3/h)	200	300	450	200	415	662
Power consumption (A)	6	10	14	1.7	3.2	6
Noise (dBA)	55	64	69	53	63	67
Operating hours	4,000 h			4,000 h		
Weight	2.8 kg			2.8 kg		
Hose connection	16 mm			16 mm		
Max. pressure	2.5 (max 6.5) bar			2.5 (max 6.5) bar		
Connection contacts	2 (AMP 4 pole 737021-0) (counterpart 180900-0)			2 (AMP 4 pole 737021-0) (counterpart 180900-0)		
Connections	6 x M6			6 x M6		

Base for measurement: Volt: 14/28; Temperature: 100°C; Throughput volume: 500 l/h



Range overview

Product photo	Part number	Description	PU
	9MX 351 315-431	Universal heater Complete unit, 12 V	1 unit
	9MX 351 315-441	Universal heater Complete unit, 24 V	1 unit
	8MY 351 320-231	Spare part for complete unit Front cover 12/24 V	1 unit
	8MY 351 320-241	Accessories Front, 5 nozzles, 60 mm	1 unit
	8MY 351 320-251	Accessories Side pipe cover	1 unit